

# IVB Umwelttechnik GmbH

Your Partner for Recycling Bin Systems



## UB

2,5 to 7 m<sup>3</sup>

- With plastic lid or spring-loaded steel lid according to DIN EN 12574-1
- Body made of quality steel sheet
- Embossed Front, back and side walls
- Container bottom reinforced by profiles
- Round reinforcing frame
- Body and frame completely welded
- Hot-dip galvanized
- Drainage plug at the bottom with bayonet joint
- 2 lifting pipes (lifting on 1 end)
- Rear cover retention as standard



## Rear End Loader UB 2,5 to 7m<sup>3</sup>

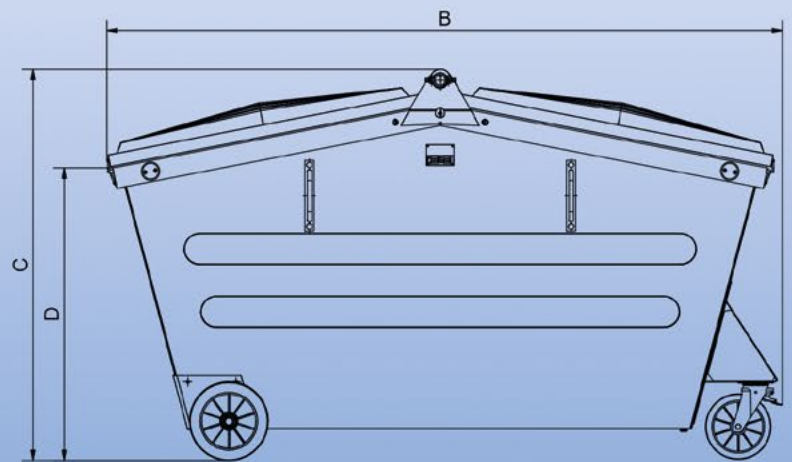
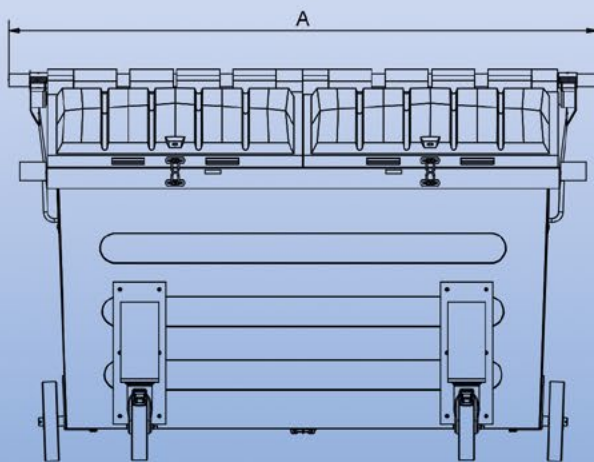


Bleiche 4  
09456 Annaberg-Buchholz - GERMANY  
Phone: +49 (0) 37 33 - 5599 0 Fax: 5599 111  
Email: [info@IVB-Umwelttechnik.com](mailto:info@IVB-Umwelttechnik.com)  
Web: [www.IVB-Umwelttechnik.com](http://www.IVB-Umwelttechnik.com)



# IVB Umwelttechnik GmbH

Your Partner for Recycling Bin Systems



## TECHNICAL SPECIFICATIONS

Container Model	Type of construction	Weight in kg	Width A	Length B	Height C	Throw in height D
UB 2,5	Plastic lid	210	2250	1370	1475	1115
UB 2,5	Steel lid	220	2250	1420	1465	1115
UB 3,0	Plastic lid	240	2250	1665	1500	1115
UB 3,0	Steel lid	260	2250	1700	1490	1115
UB 5,0	Plastic lid	310	2250	2565	1500	1115
UB 5,0	Steel lid	330	2250	2630	1490	1115
UB 7,0	Plastic lid	410	2250	3180	1615	1200
UB 7,0	Steel lid	430	2250	3265	1640	1200

## Rear End Loader UB 2,5 to 7m<sup>3</sup>

With plastic lid or spring-loaded steel lid according to DIN EN 12574-1



Bleiche 4  
 09456 Annaberg-Buchholz - GERMANY  
 Phone: +49 (0) 37 33 - 5599 0 Fax: 5599 111  
 Email: info@IVB-Umwelttechnik.com  
 Web: www.IVB-Umwelttechnik.com

