

IVB Umwelttechnik GmbH

Your Partner for Recycling Bin Systems



MGB - SD 1100 Liter

- with sliding lid steel
- according to DIN EN 840-3
- hull made of quality sheet steel
- Cover sheet and sidewalls thermoformed
- hull and frame completely welded
- hot dip galvanized
- 2 inch cleaning floor drain
- comfortable Parental Control (two-handed operation)
- finger guard according to DIN EN 840-6
- spigot and / or coater blade according to DIN EN 840-3



Refuse collection container MGB 1100 Liter

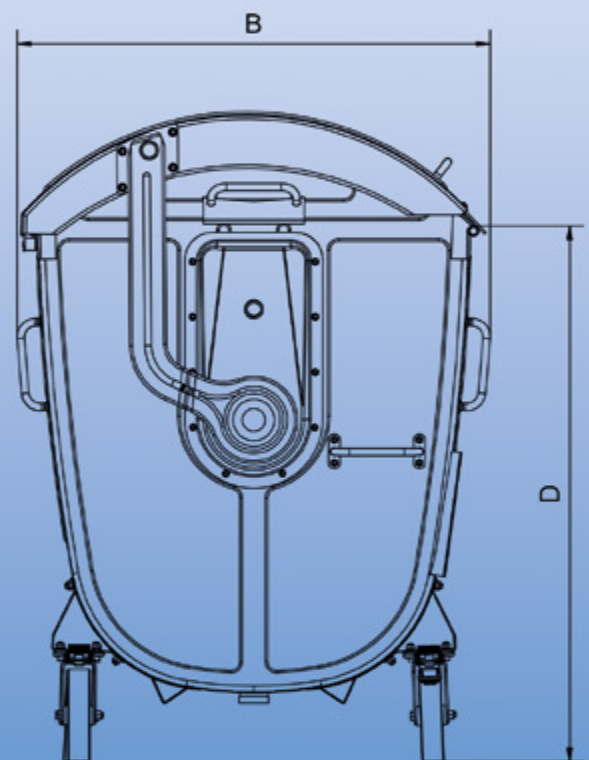
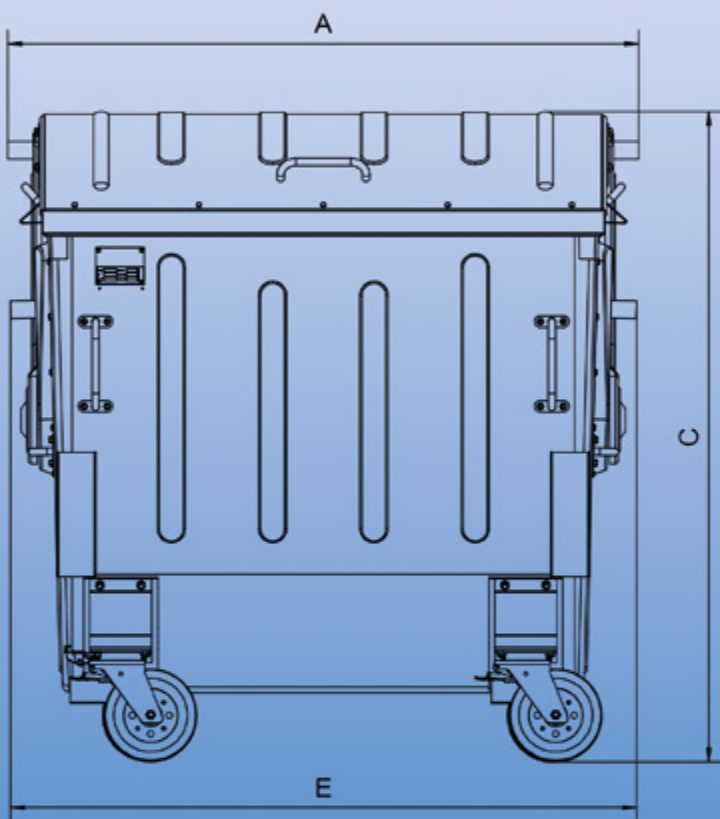


Bleiche 4
09456 Annaberg-Buchholz - GERMANY
Phone: +49 (0) 37 33 - 5599 0 Fax: 5599 111
Email: info@IVB-Umwelttechnik.com
Web: www.IVB-Umwelttechnik.com



IVB Umwelttechnik GmbH

Your Partner for Recycling Bin Systems



TECHNICAL SPECIFICATIONS

Container-version	Design / Variant	Weight in kg	Width A	Length B	Height C	Throw Height D	Admission Width F
MGB 1100	Stahl-Schiebedeckel	125	1370	1030	1415	1165	1360

Refuse collection container MGB 1100 Liter According DIN EN 840-3 & DIN EN 840-6



Bleiche 4
 09456 Annaberg-Buchholz - GERMANY
 Phone: +49 (0) 37 33 - 5599 0 Fax: 5599 111
 Email: info@IVB-Umwelttechnik.com
 Web: www.IVB-Umwelttechnik.com

