

IVB Umwelttechnik GmbH

Your Partner for Recycling Bin Systems



MGB - FD 1,1 m³ Plant Services

NEW
PRODUKT

- with flat lid made of plastic or steel
- hull made of quality sheet steel according to DIN EN 840-2
- ribbed front, rear and side walls
- rounded container corners & peripheral reinforcing frame
- hull and frame completely welded
- hot dip galvanized
- Cleaning cover with bayonet lock in the bottom
- Comb bar / receiving pin according to DIN EN 840-2
- reinforced special frame with severe tensile & Hitch
- Aluminium heavy duty Wheels or Super heavy duty Wheels
- Expandable with optional equipment



Refuse collection container MGB 1,1 m³ Plant Services

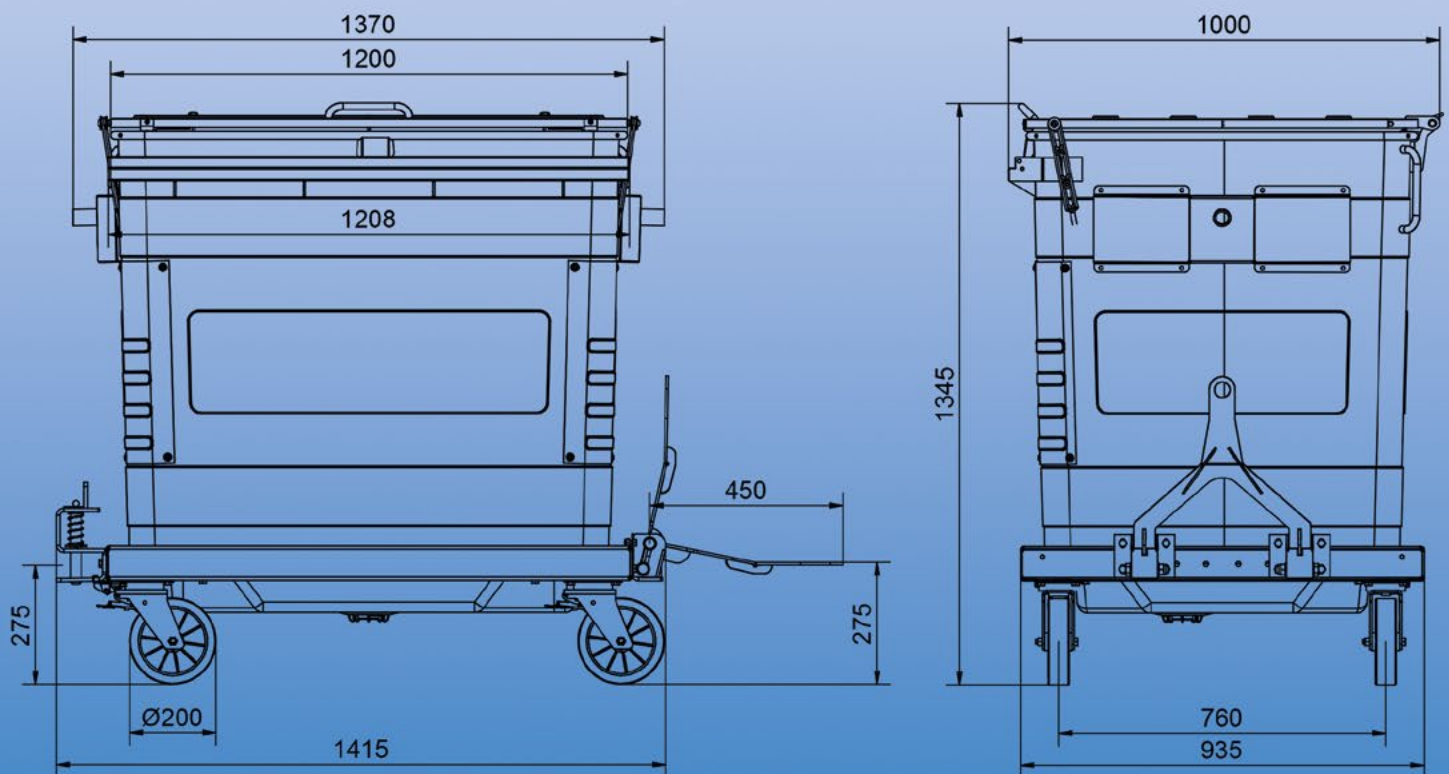


Bleiche 4
09456 Annaberg-Buchholz - GERMANY
Phone: +49 (0) 37 33 - 5599 0 Fax: 5599 111
Email: info@IVB-Umwelttechnik.com
Web: www.IVB-Umwelttechnik.com



IVB Umwelttechnik GmbH

Your Partner for Recycling Bin Systems



Refuse collection container MGB 1,1 m³ Plant Services According DIN EN 840-2



Bleiche 4
09456 Annaberg-Buchholz - GERMANY
Phone: +49 (0) 37 33 - 5599 0 Fax: 5599 111
Email: info@IVB-Umwelttechnik.com
Web: www.IVB-Umwelttechnik.com

