



MGB - FD

660 to 1280 Liter

- with flat lid made of plastic or steel
- according to DIN EN 840-2
- hull made of quality sheet steel
- ribbed front, rear and side walls
- rounded corners tank
- peripheral reinforcing frame
- hull and frame completely welded
- hot dip galvanized
- Cleaning cover with bayonet lock in the bottom
- Comb bar / receiving pin according to DIN EN 840-2
- 4 castors



Refuse collection container MGB 660 to 1280 Liter

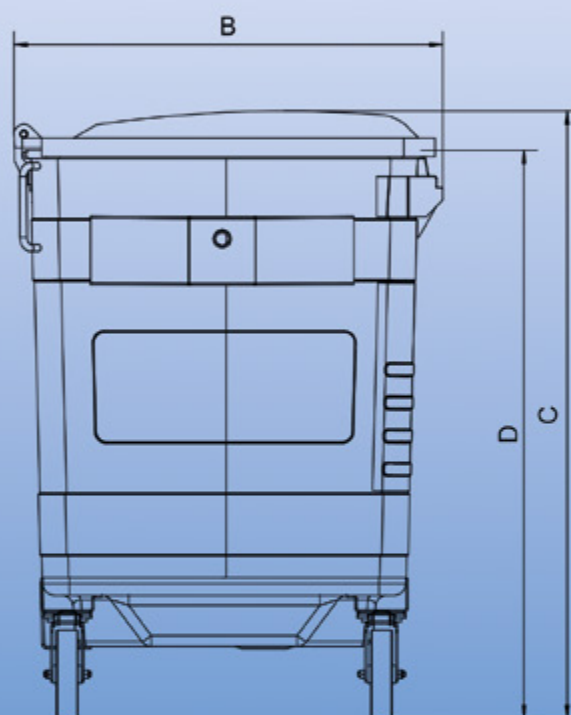
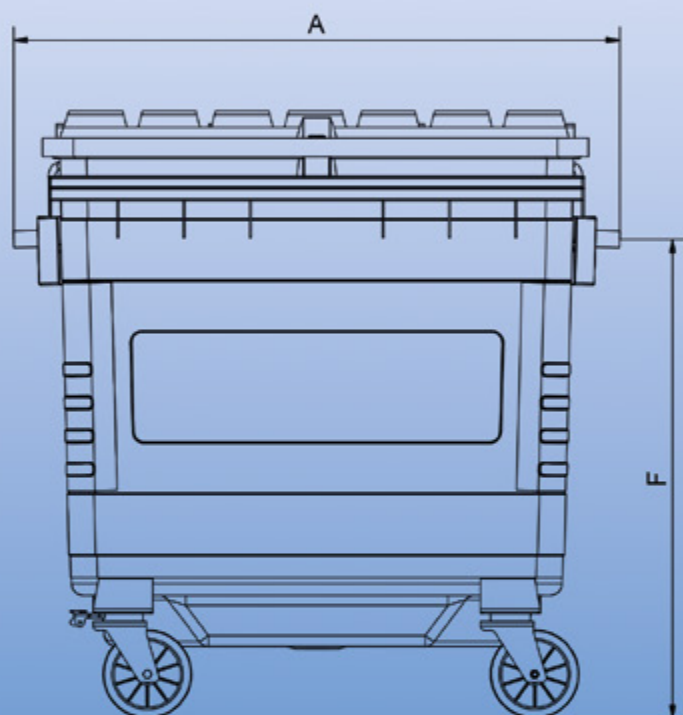


Bleiche 4
09456 Annaberg-Buchholz - GERMANY
Phone: +49 (0) 37 33 - 5599 0 Fax: 5599 111
Email: info@IVB-Umwelttechnik.com
Web: www.IVB-Umwelttechnik.com



IVB Umwelttechnik GmbH

Your Partner for Recycling Bin Systems



TECHNICAL SPECIFICATIONS

Container-version	Design / Variant	Weight in kg	Width A	Length B	Height C	Throw Height D	Admission Height F
MGB 660	Plastic sheet cover	75	1370	715	1300	1215	1015
MGB 770	Plastic sheet cover	80	1370	780	1375	1285	1085
MGB 1100	Plastic sheet cover	90	1370	970	1360	1280	1080
MGB 1280	Plastic sheet cover	120	1370	1045	1440	1290	1090

Refuse collection container MGB 660 to 1280 Liter According DIN EN 840-2



Bleiche 4
09456 Annaberg-Buchholz - GERMANY
Phone: +49 (0) 37 33 - 5599 0 Fax: 5599 111
Email: info@IVB-Umwelttechnik.com
Web: www.IVB-Umwelttechnik.com

