

# IVB Umwelttechnik GmbH

Your Partner for Recycling Bin Systems



## FUB

1,7 to 7,5 m<sup>3</sup>

- With plastic lid or spring-loaded steel lid (1600 / 1710 / 1820 mm)
- According to DIN EN 12574-1
- Body made of quality steel sheet
- Embossed Front, back and side walls
- Rounded container corners
- Round reinforcing frame
- Hull and frame completely welded
- Hot-dip galvanized
- Drainage plug at the bottom with bayonet joint
- Lifting pockets, screwed



## Front End Loader FUB 1,7 to 7,5 m<sup>3</sup>

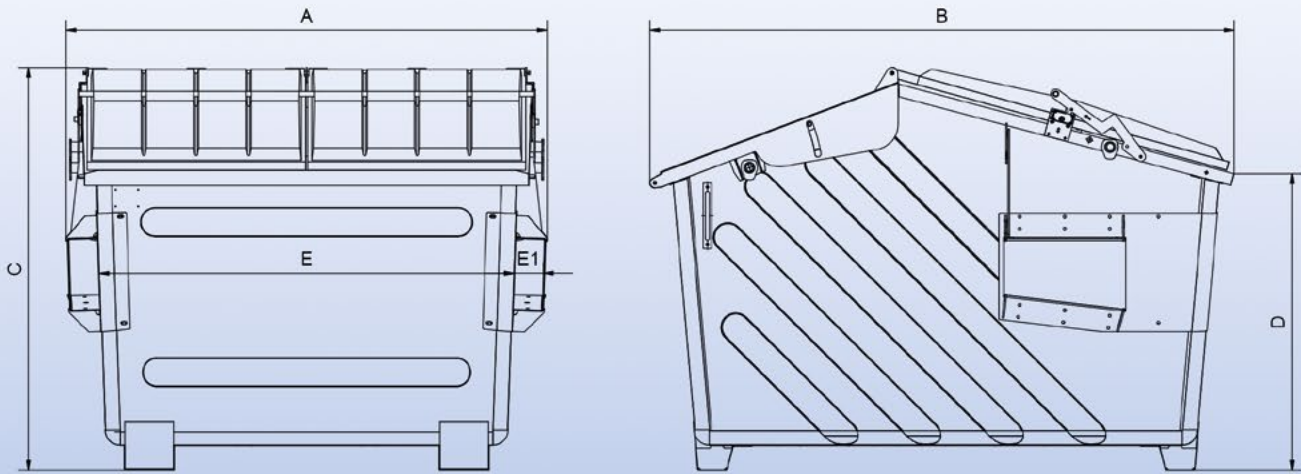


Bleiche 4  
09456 Annaberg-Buchholz - GERMANY  
Phone: +49 (0) 37 33 - 5599 0 Fax: 5599 111  
Email: [info@IVB-Umwelttechnik.com](mailto:info@IVB-Umwelttechnik.com)  
Web: [www.IVB-Umwelttechnik.com](http://www.IVB-Umwelttechnik.com)



# IVB Umwelttechnik GmbH

Your Partner for Recycling Bin Systems



## TECHNICAL SPECIFICATIONS

Container Model	Type of construction	Weight in kg	Width A	Length B	Height C	Throw in height D	Admission width E	Pocket width E1
FUB 1,7	1600, plastic lid	180	1830	1160	1565	1285	1600	140
FUB 1,7	1710, plastic lid	185	1920	1160	1565	1285	1710	185
FUB 2,5	1600, plastic lid	210	1865	1430	1655	1220	1600	120
FUB 2,5	1710, plastic lid	220	1970	1430	1655	1220	1710	120
FUB 2,5	1820, plastic lid	220	2040	1430	1655	1220	1820	154
FUB 3,5	1710, plastic lid	255	1970	1765	1655	1220	1710	120
FUB 3,5	1820, plastic lid	255	2040	1765	1655	1220	1820	154
FUB 4,5	1600, plastic lid	300	1865	2400	1655	1220	1600	120
FUB 4,5	1710, plastic lid	300	1930	2400	1655	1220	1710	154
FUB 5,0	1600, 4 plastic lid	335	1865	2600	1655	1220/1100	1600	120
FUB 5,0	1600, plastic lid	310	1865	2635	1655	1220	1600	120
FUB 5,0	1710, plastic lid	310	1970	2400	1655	1220	1710	120
FUB 5,0	1820, plastic lid	315	2040	2400	1655	1220	1820	154
FUB 6,0	1600, 4 plastic lid	380	1865	2800	1775	1205/1290	1600	120
FUB 6,0	1710, 4 plastic lid	380	1970	2555	1775	1205/1315	1710	120
FUB 6,0	1820, 4 plastic lid	380	2040	2555	1775	1205/1315	1820	154
FUB 7,0	1600, 4 plastic lid	405	1865	3020	1775	1205/1205	1600	120
FUB 7,5	1710, 4 plastic lid	415	1970	3020	1775	1205/1205	1710	120
FUB 7,5	1710, 4 plastic lid, ramp	490	1970	3170	1800	1230/1230	1710	120
FUB 7,5	1820, 4 plastic lid	420	2040	3020	1775	1205/1205	1820	154
FUB 7,5	1820, 4 plastic lid, ramp	490	2040	3170	1800	1230/1230	1820	154

## Front End Loader FUB 1,7 to 7,5 m<sup>3</sup>

With plastic lid or spring-loaded steel lid according DIN EN 12574-1



Bleiche 4  
 09456 Annaberg-Buchholz - GERMANY  
 Phone: +49 (0) 37 33 - 5599 0 Fax: 5599 111  
 Email: info@IVB-Umwelttechnik.com  
 Web: www.IVB-Umwelttechnik.com

