



## ASM JOTHA 2,0 to 3,0 m<sup>3</sup>

- Compatible to Jotha admission system
- Tested according to BGR 186-6 „Interchangeable tipping & settling containers“
- Body and frame completely welded
- Hot-dip galvanized
- Mesh hooks
- Corners reinforced

### Construction:

- + Open, asymmetrical
- + Covered, symmetrical (plastic cover)

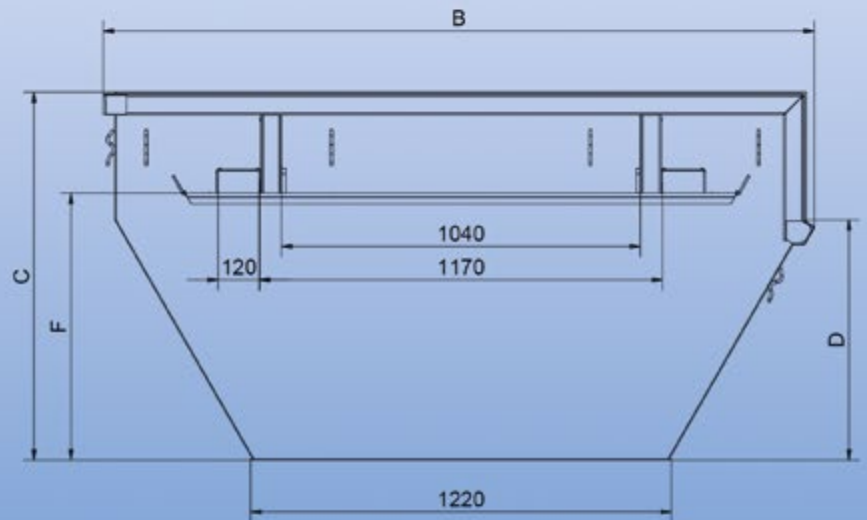
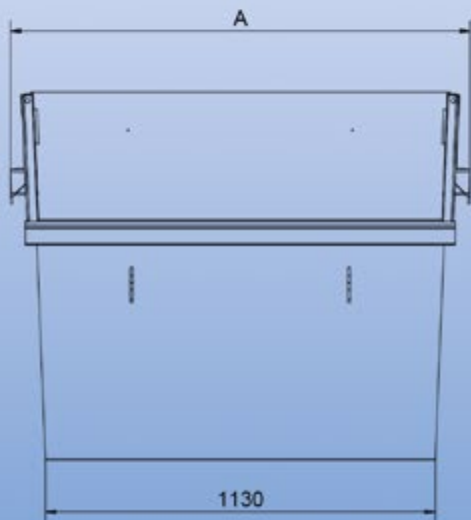


## Galvanized Skips - System Jotha



Bleiche 4  
09456 Annaberg-Buchholz - GERMANY  
Phone: +49 (0) 37 33 - 5599 0 Fax: 5599 111  
Email: [info@IVB-Umwelttechnik.com](mailto:info@IVB-Umwelttechnik.com)  
Web: [www.IVB-Umwelttechnik.com](http://www.IVB-Umwelttechnik.com)





## TECHNICAL SPECIFICATIONS

Container Model	Type of construction	Weight in kg	Width A	Length B	Height C	Throw in height D	Spigot height F
ASM 2,0 J	Jotha, open, asymm.	230	1316	2061	1065	694	803
ASM 3,0 J	Jotha, open, asymm.	265	1316	2284	1310	770	803
ASM 2,3 S J	Jotha, plastic lid, symm.	250	1300	2300	1355	915	803

# Galvanized Skips System Jotha

Compatible to Jotha admission system 12 • 2,0 bis 3,0 m<sup>3</sup>



Bleiche 4  
 09456 Annaberg-Buchholz - GERMANY  
 Phone: +49 (0) 37 33 - 5599 0 Fax: 5599 111  
 Email: [info@IVB-Umwelttechnik.com](mailto:info@IVB-Umwelttechnik.com)  
 Web: [www.IVB-Umwelttechnik.com](http://www.IVB-Umwelttechnik.com)

