



SLB

2,4 m³ / 3,2 m³

- bin with trunnions – interface width 1760 mm – according to DIN EN 12574
- sensational symmetric lid-system without swing arm for lid opening
- mechanical supported steel lild at both sides - easily to open
- foot-pedal for back lid opening as standard
- made of high quality steel and steel sheets
 - cold rolled thin sheet, able for hot-dip-galvanizing -
- front-, rear- and sidewalls solidly ribbed
- surrounding frame at the top
- body and frame welded to each other all around
- all steel metal parts are hot-dip-galvanized according to DIN EN ISO 1461
- high quality drainage plug with bayonet joint in the bottom
- combination of castor and standing panels for use with side loader technology



Side-Load-Bin SLB 2,4 m³ / 3,2 m³

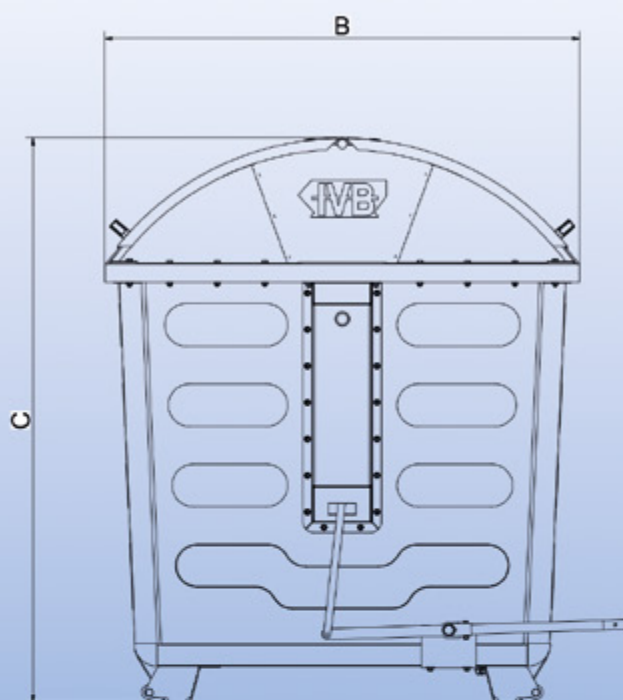
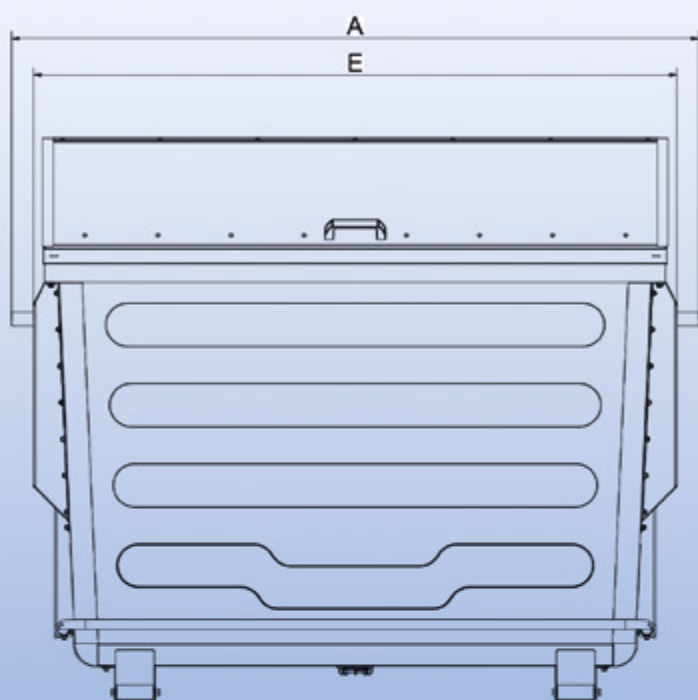


Bleiche 4
09456 Annaberg-Buchholz - GERMANY
Phone: +49 (0) 37 33 - 5599 0 Fax: 5599 111
Email: info@IVB-Umwelttechnik.com
Web: www.IVB-Umwelttechnik.com



IVB Umwelttechnik GmbH

Your Partner for Recycling Bin Systems



dimension \ bin	SLB 2,4	SLB 3,2
a - width	1880	1880
b - height	1545	1665
c - depth	1300	1500
d - throw in height	1200	1200
e - lower interface width	1760	1760

Side-Load-Bin SLB 2,4 m³ / 3,2 m³

Trunnions Interface width 1760 mm – according to DIN EN 12574



Bleiche 4
 09456 Annaberg-Buchholz - GERMANY
 Phone: +49 (0) 37 33 - 5599 0 Fax: 5599 111
 Email: info@IVB-Umwelttechnik.com
 Web: www.IVB-Umwelttechnik.com

