

IVB Umwelttechnik GmbH

Your Partner for Recycling Bin Systems



MGB - SKD

2,5 to 6,5 m³

- With metal sliding flap lid
- According to DIN EN 12574-1
- Body made of quality sheet metal, Steel or aluminum (2.5 & 4.5 m³)
- Embossed Front, back and side walls
- Container bottom reinforced by profiles
- Rounded container corners
- Round reinforcing frame
- Body and frame completely welded
- Hot-dip galvanized
- Drainage plug at the bottom with bayonet joint
- Lifting pockets, screwed

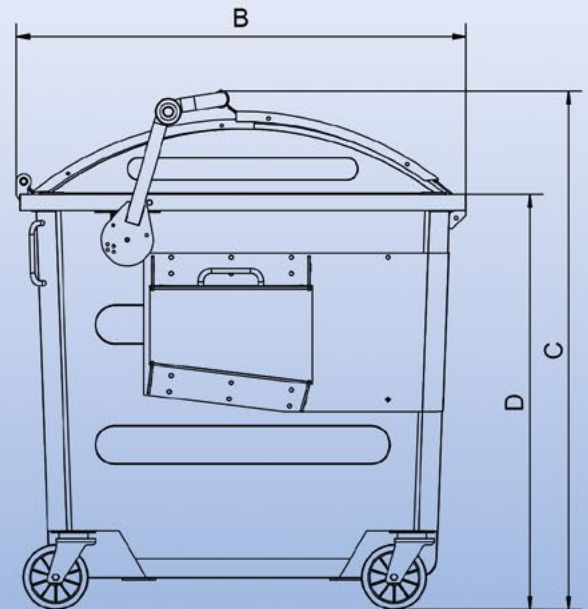
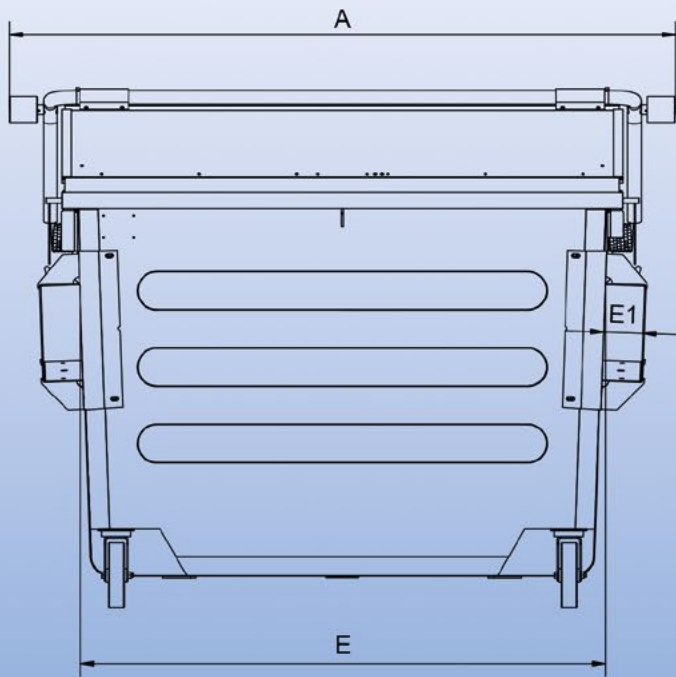


Refuse Collection Container MGB SKD 2,5 bis 6,5 m³



Bleiche 4
09456 Annaberg-Buchholz - GERMANY
Phone: +49 (0) 37 33 - 5599 0 Fax: 5599 111
Email: info@IVB-Umwelttechnik.com
Web: www.IVB-Umwelttechnik.com





TECHNICAL SPECIFICATIONS

Container Model	Type of construction	Weight in kg	Width A	Length B	Height C	Throw in height D	Admission width E	Pocket width E1
MGB 2,5	Metal sliding flap lid	255	1870	1380	1600	1280	1600	120
MGB 2,5	SFL, Aluminum	165	1870	1380	1600	1280	1600	120
MGB 4,5	Metal sliding flap lid	330	1870	2090	1795	1280	1600	120
MGB 4,5	SFL, Aluminum	205	1870	2090	1795	1280	1600	120
MGB 6,5	Metal sliding flap lid	375	2240	2250	1900	1340	1970	120

Refuse Collection Container MGB SKD 2,5 to 6,5 m³ With metal sliding flap lid according DIN EN 12574-1



Bleiche 4
09456 Annaberg-Buchholz - GERMANY
Phone: +49 (0) 37 33 - 5599 0 Fax: 5599 111
Email: info@IVB-Umwelttechnik.com
Web: www.IVB-Umwelttechnik.com

